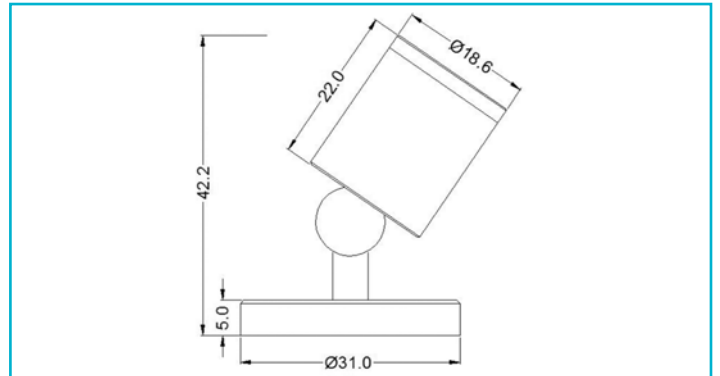


Display case light
Herculis magnetic, 1 W, 3,000 K, black


Little helper, big effect. With the HERCULIS display lights in a high-quality aluminium housing, you can reach all corners of a display case. To do so, the lamp head with its 40° light emission angle can be freely rotated and swivelled in any direction. In addition, the intelligent cable routing and the ready-to-use system enable easy panel and surface mounting in display cases, counters, sales areas or in living rooms.

Special features

- High output with compact design
- Magnetic lamp head
- Ball head allows lamp to be directed as desired
- For surface mounting
- Ready-to-use system

Housing Material	Aluminium	Base height	5 mm
Housing Color	Black	Base H x Ø	5 x 31 mm
Mounting Type	Top mounting	Base diameter	31 mm
Mounting Location	Inside	Working Temperature	-10 to 45 °C
Protection Class	Protection class III/safety extra-low voltage	Storage Temperature	-10 to 45 °C
Operating Mode	Constant current	IP Protection Class	IP 20
Rated Input	1 W	Life Time L70 / B50	30000 h
Rated Input Voltage	3 V/DC	Switching Cycles	50000
Rated Current	350 mA	Power Consumption	1 kWh/1000h
Power Supply Unit incl.	No	EEI	G
Connection Cable Secondary	Yes		
Secondary Cable Length	1 m		
Dimmable	No		
Motion Detector	No		
Light Source	LED, Light source not changeable		
Color Temperature	3000 K		
Colour Consistency	6 SDCM		
Colour consistency light source	6 SDCM		
CRI (Ra)	90		
Rated Luminous Flux	100 lm		
Luminous Efficiency	100 lm/W		
Rated Angle of Reflection	40 Degree		
Distribution Characteristic 120°	DLS		
Swivel Angle	180 Degree		
Light Exit Surfaces	1		
Light characteristics	Direct		
Light direction	Top		
Height	42.2 mm		
Diameter	31 mm		

