

L 690 S

V2 PMMA anthracite
 EAN 4007841 053000
 Article number 053000



LED

3000 K



Infrarot-Sensor
360°



IP44



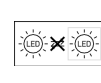
2 - 1000 Lux



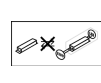
5 Sek - 15 Min



Softlichtstart



Lichtquelle nicht
austauschbar



Betriebsgerät nicht
austauschbar



Schlagfest IK07

30 Jahre (Ø 4,5 Std /
Tag)

3000K warmweiß

Function description

Popular style. Full range of functions. The square sensor-switched L 690 S outdoor light perfectly illuminates front doors (700 lm from a mere 8,5 W). Including sheet of self-adhesive house numbers for illuminating the house number. 360° infrared mini sensor with 4 programmes. Max. reach 7 m. Range of functions too: basic light level function, soft light start, adjustable time and twilight threshold. Aluminium base with impact proof diffuser (IK07). Interconnectable via cable.

Technical specifications

Dimensions (L x W x H)	104 x 291 x 303 mm
With lamp	Yes, STEINEL LED system
Manufacturer's Warranty	5 years
Settings via	Potentiometers
With remote control	No
Version	PMMA anthracite
PU1, EAN	4007841053000
Application, place	Outdoors
Application, room	outdoors, front door, all round the building, courtyard & driveway
Colour	Anthracite
includes sheet of self-adhesive house numbers	Yes
Installation site	wall
Impact resistance	IK07
IP-rating	IP44
Protection class	II

Photo-cell controller	Yes
Abdeckmaterial Lieferumfang	shrouds
Luminous flux total product	700 lm
Measured luminous flux (360°)	700 lm
Total product efficiency	82 lm/W
Colour temperature	3000 K
Colour variation LED	SDCM3
Lamp	LED cannot be replaced
LED life expectancy (max. °C)	50000 h
Service life LED L70B50 (25°)	> 60000 h
Base	without
LED cooling system	Passive Thermo Control
Soft light start	Yes
Continuous light	selectable, 4h
Functions	4 programme settings geared to practical needs, can be selected on removable sensor module

L 690 S

V2 PMMA anthracite
 EAN 4007841 053000
 Article number 053000



Technical specifications

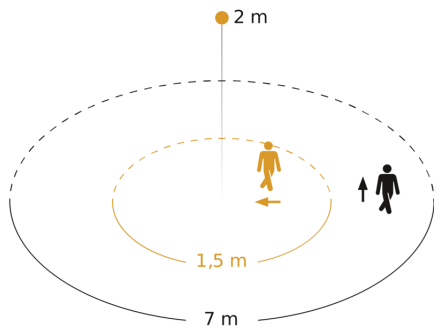
Ambient temperature	-20 – 50 °C
Housing material	Aluminium
Cover material	Plastic, opal
Mains power supply	220 – 240 V / 50 – 60 Hz
Output	8,5 W
Mounting height max.	2,50 m
Slave modeselectable	No
Sneak-by guard	Yes
Capability of masking out individual segments	Yes
Electronic scalability	No
Mechanical scalability	No
Reach, radial	$r = 1.5 \text{ m} (7 \text{ m}^2)$
Reach, tangential	$r = 7 \text{ m} (154 \text{ m}^2)$

Twilight setting	2 – 1000 lx
Time setting	5 s – 15 Min.
Basic light level function	Yes
Basic light level function time	10/30 min, all night
Interconnection	Yes
Basic light level function in per cent	10 %
Basic light level function percentage, from	10 %
Basic light level function percentage, up to	10 %
Interconnection via	Cable
Colour Rendering Index CRI	= 82
Optimum mounting height	2 m
Detection angle	360 °

L 690 S

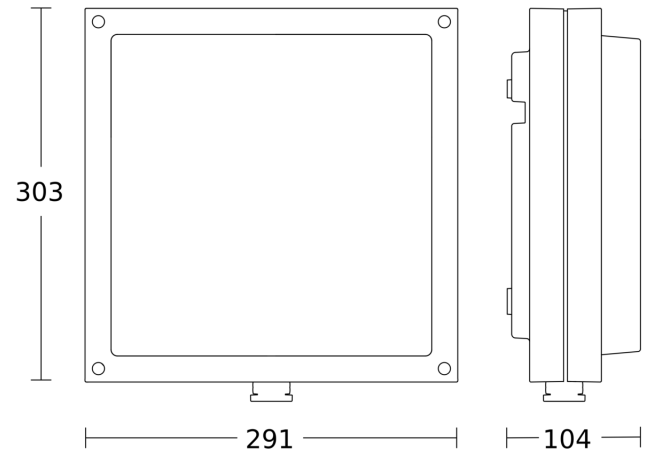
V2 PMMA anthracite
 EAN 4007841 053000
 Article number 053000

Detection Zone

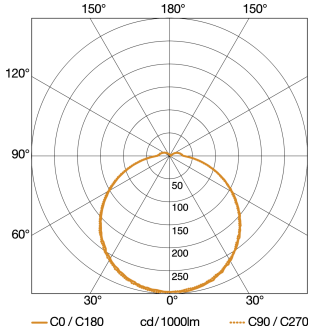


Possible mounting height: 1,80 m - 2,50 m
 Orange: radial
 Black: tangential

Dimension Drawing

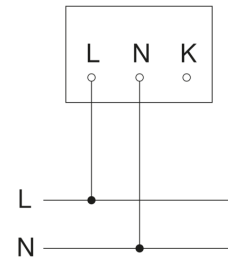


Light Distribution Curve



Output	8,5 W
With lamp	Yes, STEINEL LED system
Lamp	LED cannot be replaced
Measured luminous flux (360°)	700 lm
Colour temperature	3000 K
Colour Rendering Index	= 82
LED life expectancy (max. °C)	50000 h
LED cooling system	Passive Thermo Control

Circuit diagram



L 690 S

V2 PMMA anthracite
EAN 4007841 053000
Article number 053000

Master/master interconnection circuit diagram

