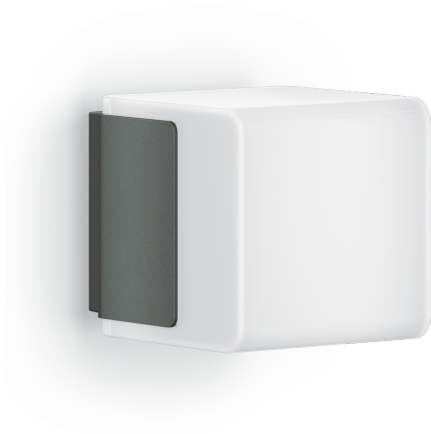


Outdoor light without sensor

L 835 C

without motion detector, with Bluetooth
EAN 4007841 079260
Article number 079260



LED

3000 K



3 years



30 years (Ø 4.5h / day)

3000K warm-white

IP44

2 - 2000 lux

5 sec - 60 min

soft light start

manual override 4h

energy saving

manufacturer's warranty
steinel.de/
garantie3y

CE

Function description

State-of-the-art light cubes. The cubic L 835 C LED outdoor light without sensor sets every external home wall perfectly in scene with its elegant look and warm white LED light (3,000 K) and 616 lm. Ideal for terraces, home entrances and facades. Several lights can be interconnected to form light groups via app. If a sensor-controlled light is included, all lights switch ON automatically as soon as movement is detected. Colour: Anthracite.

Technical specifications

Dimensions (Ø x H)	132 x 110 mm	Output	9,1 W
With lamp	Yes, STEINEL LED system	Photo-cell controller	No
Manufacturer's Warranty	3 years	Luminous flux total product	616 lm
Settings via	Bluetooth, App	Measured luminous flux (360°)	616 lm
With remote control	No	Total product efficiency	68 lm/W
Version	without motion detector, with Bluetooth	Colour temperature	3000 K
PU1, EAN	4007841079260	Lamp	LED cannot be replaced
Application, place	Outdoors	LED life expectancy (max. °C)	50000 h
Application, room	outdoors, garden, front door, courtyard & driveway, all round the building, terrace / balcony	Service life LED L70B50 (25°)	> 60000 h
Colour	Anthracite	Base	without
includes sheet of self-adhesive numbers	No	LED cooling system	Passive Thermo Control
Installation site	wall	Soft light start	No
Impact resistance	IK03	Basic light level function	No
IP-rating	IP44	Main light adjustable	10 - 100 %
		Twilight setting TEACH	No
		Interconnection	Yes
		Interconnection via	Bluetooth

<https://www.steinel.de>

Subject to technical modifications

11.2022 Page 1 from 2

Outdoor light without sensor

L 835 C

without motion detector, with Bluetooth
EAN 4007841 079260
Article number 079260

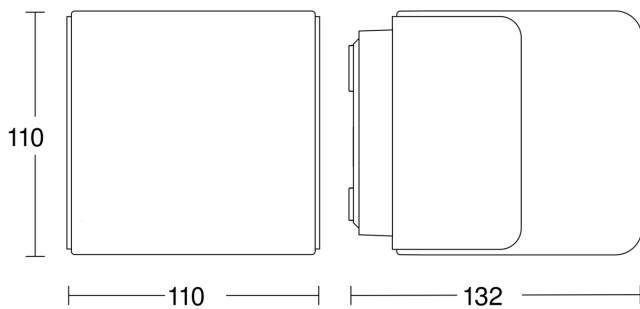


Technical specifications

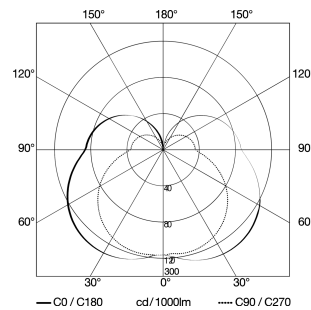
Protection class	II
Ambient temperature	-20 – 40 °C
Housing material	Plastic
Cover material	Plastic, opal
Mains power supply	220 – 240 V / 50 – 60 Hz

Colour Rendering Index CRI = 82

Dimension Drawing



Light Distribution Curve



Output	9,1 W
With lamp	Yes, STEINEL LED system
Lamp	LED cannot be replaced
Measured luminous flux (360°)	616 lm
Colour temperature	3000 K
Colour Rendering Index	80-89
LED life expectancy (max. °C)	50000 h
LED cooling system	Passive Thermo Control